



Solar Massachusetts Renewable Target ("SMART") Program
Metering Configurations

u

'U ° dU ° ku'

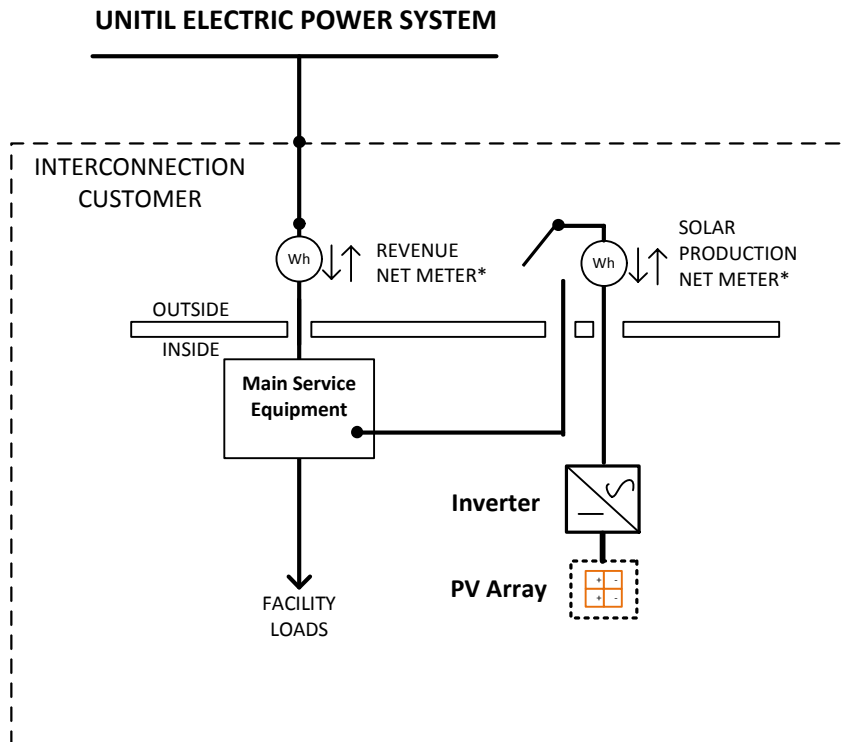
'u

y

1. All revenue and production meters are Unitil owned, bi-directional, watt-hour meters.
2. Meter location and installation shall be according to Unitil's jurisdiction applicable service and tariff requirements.
3. Where existing revenue meter is inside, the service connection will be upgraded so both the revenue and production meter are located outside.
4. For inverters with AC ratings > 60 kW, both revenue and production watt-hour meters are capable of recording interval readings. These applications require telemetering be available.
5. Generator disconnect switch is to be installed in accordance with NEC and Unitil's interconnection requirements.

Behind the Meter Solar

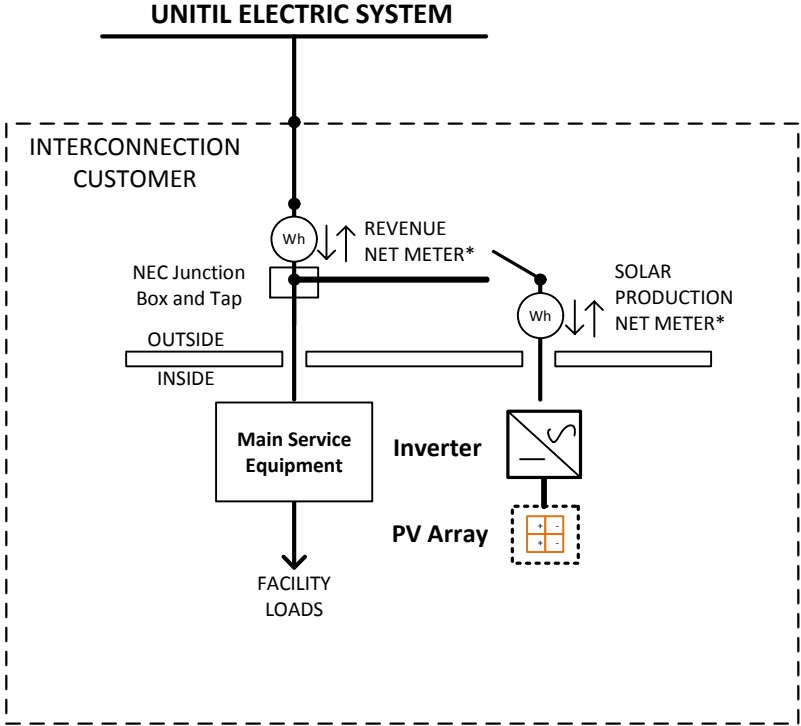
This diagram is representative of a typical system design. All system configurations must be approved by Unitil.



* Transformer rated metering is require for ratings > 400 amps

**Behind the Meter Solar
Alternative Connection**

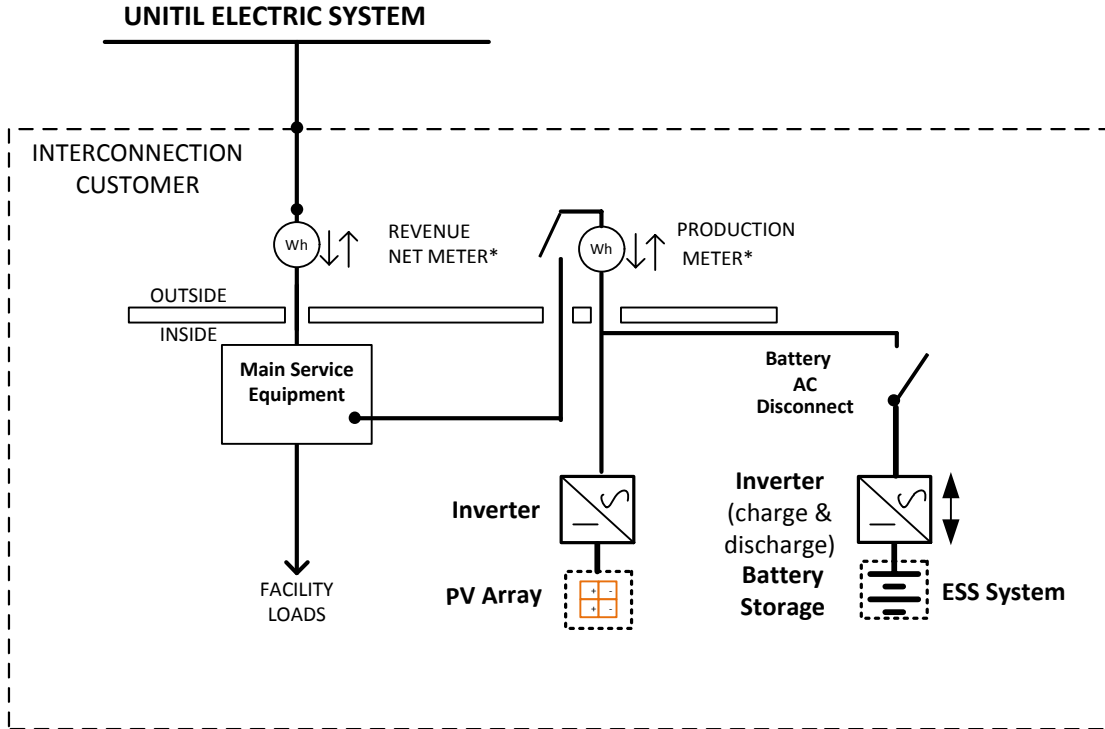
*This diagram is representative of a
typical system design. All system
configurations must be approved
by Unitil.*



* Transformer rated metering is require for ratings > 400 amps

Behind the Meter Solar AC Coupled with Storage <= 60 kW

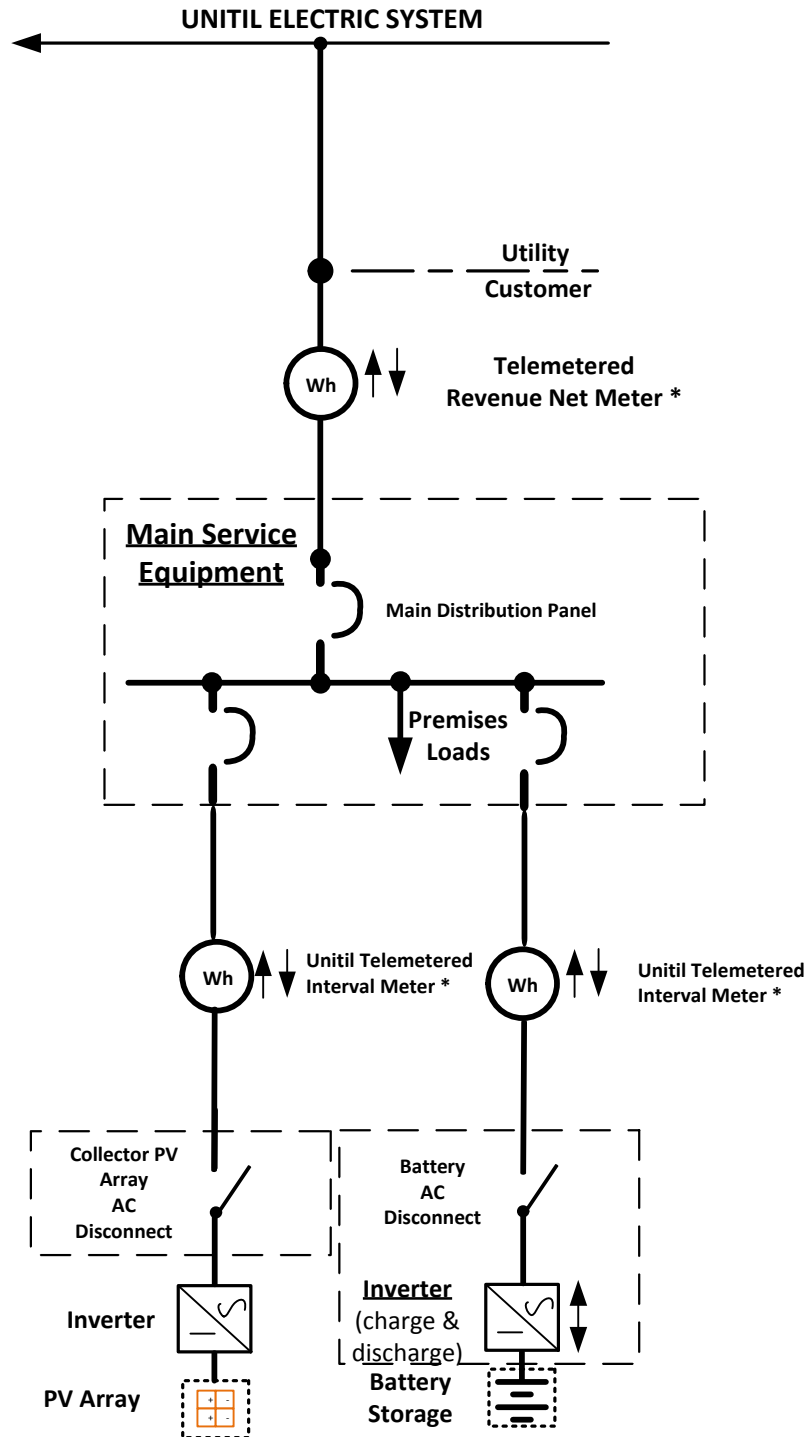
This diagram is representative of a typical system design. All system configurations must be approved by Unitil.



* Transformer rated metering is require for ratings > 400 amps

Behind the Meter Solar > 60kW AC Coupled with Storage > 60kW

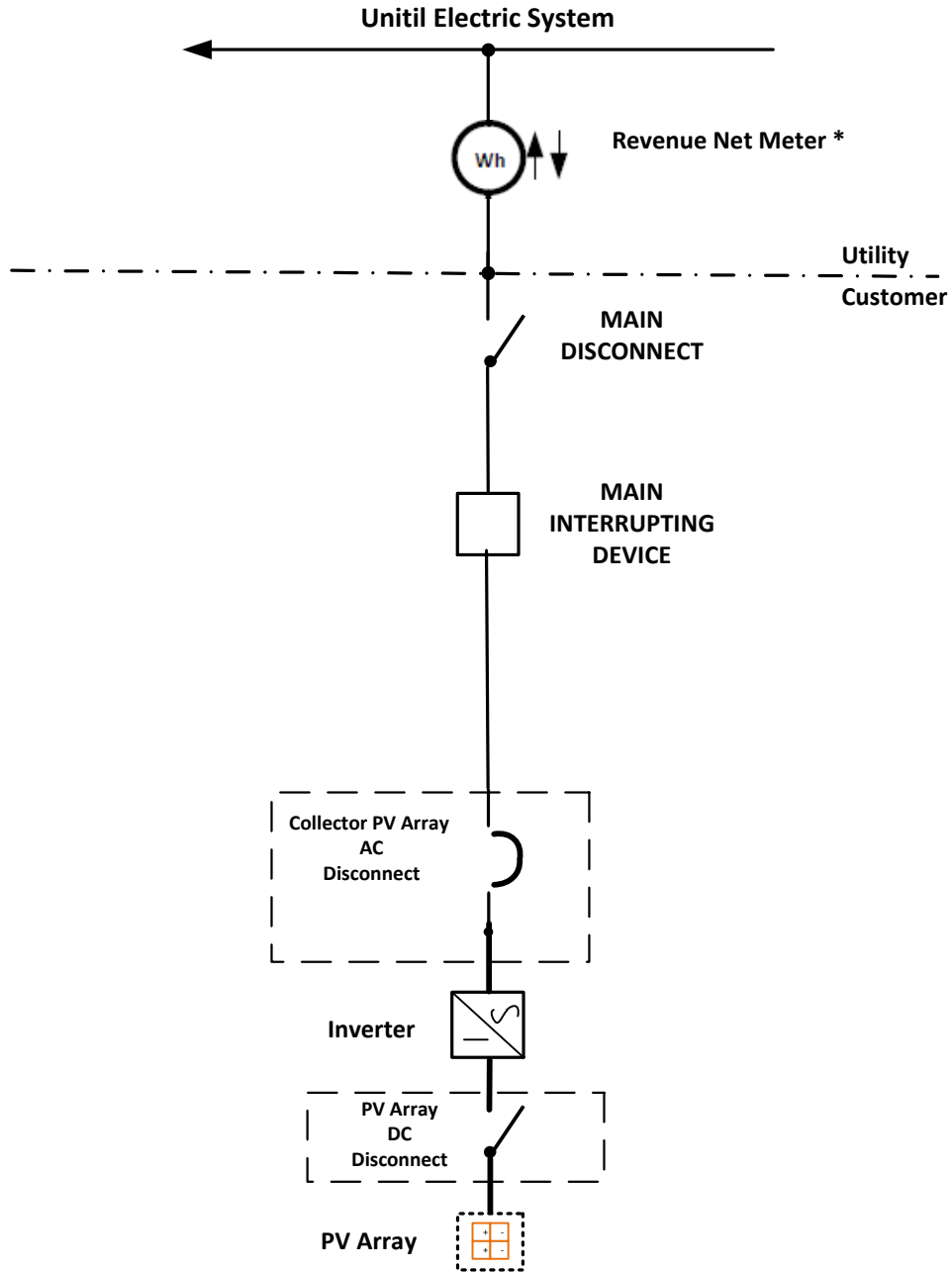
This diagram is representative of a typical system design. All system configurations must be approved by Unitil.



* Transformer rated metering is require for ratings > 400 amps

Stand Alone Solar

This diagram is representative of a typical system design. All system configurations must be approved by Unitil.



* Transformer rated metering is require for ratings > 400 amps

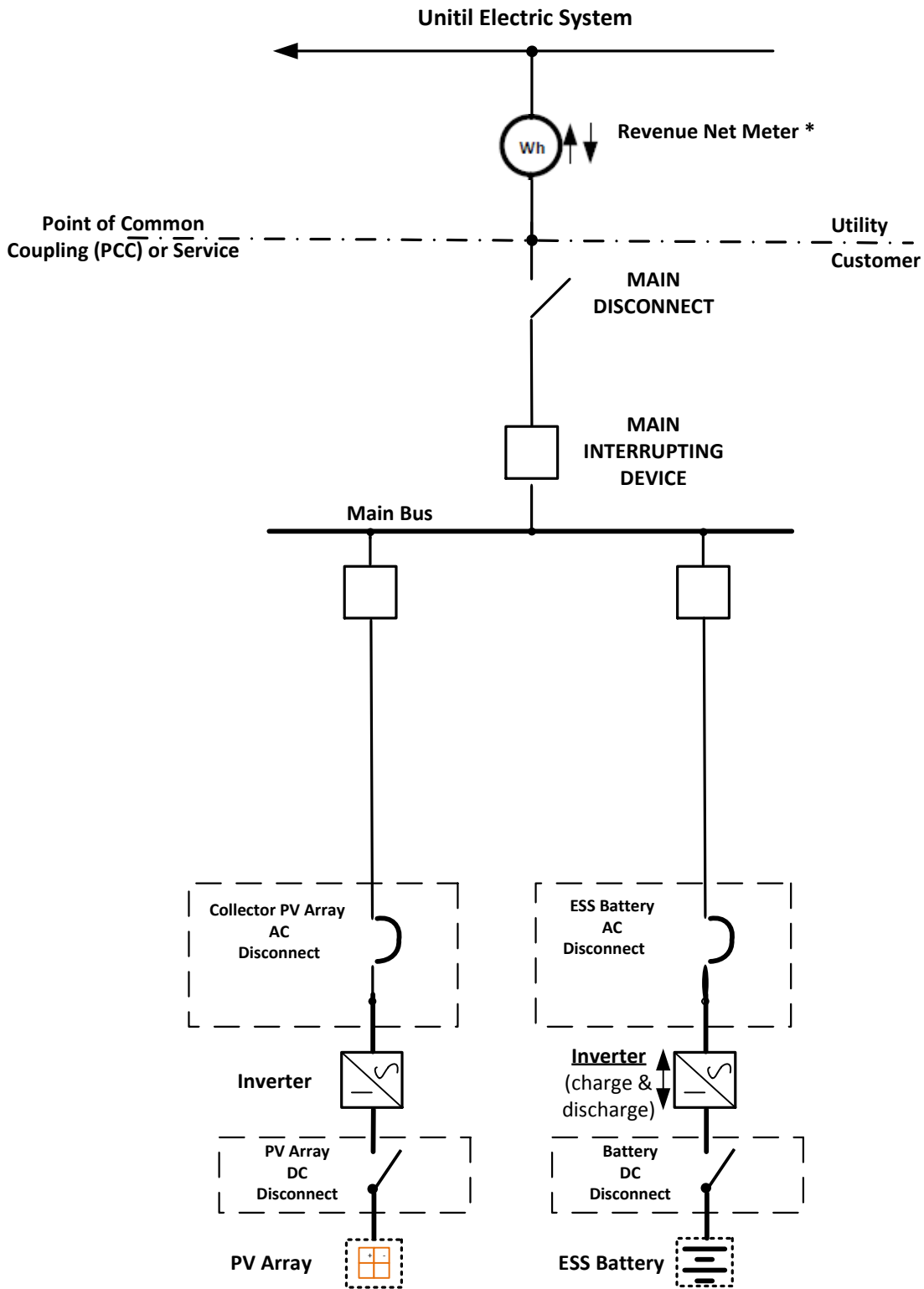


Unitil

MA ELECTRIC OPERATIONS

Stand Alone Solar AC Coupled with Storage <= 60kW

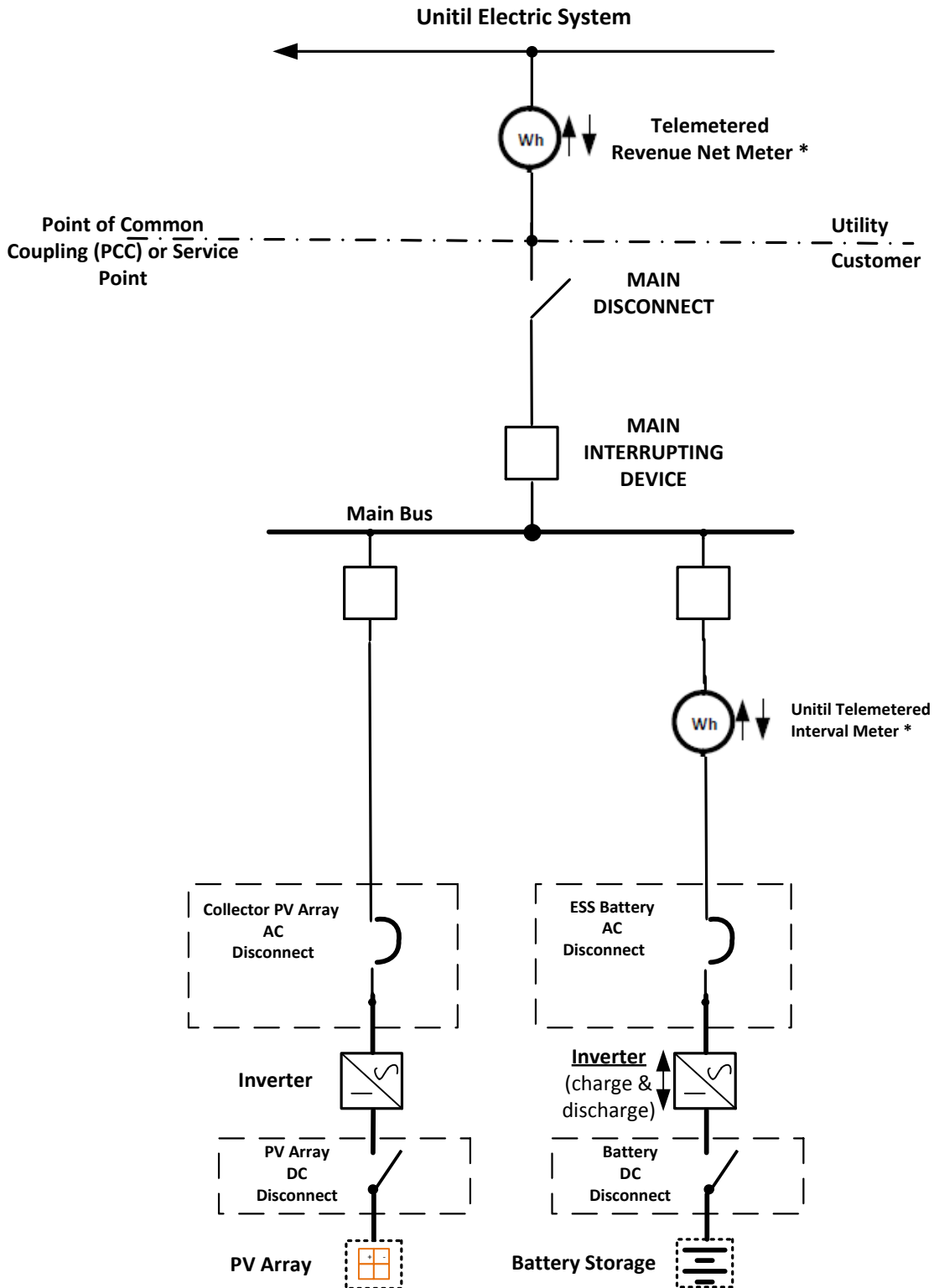
This diagram is representative of a typical system design. All system configurations must be approved by Unitil.



* Transformer rated metering is require for ratings > 400 amps

Stand Alone Solar AC Coupled with Storage > 60kW

This diagram is representative of a typical system design. All system configurations must be approved by Unitil.



* Transformer rated metering is require for ratings > 400 amps