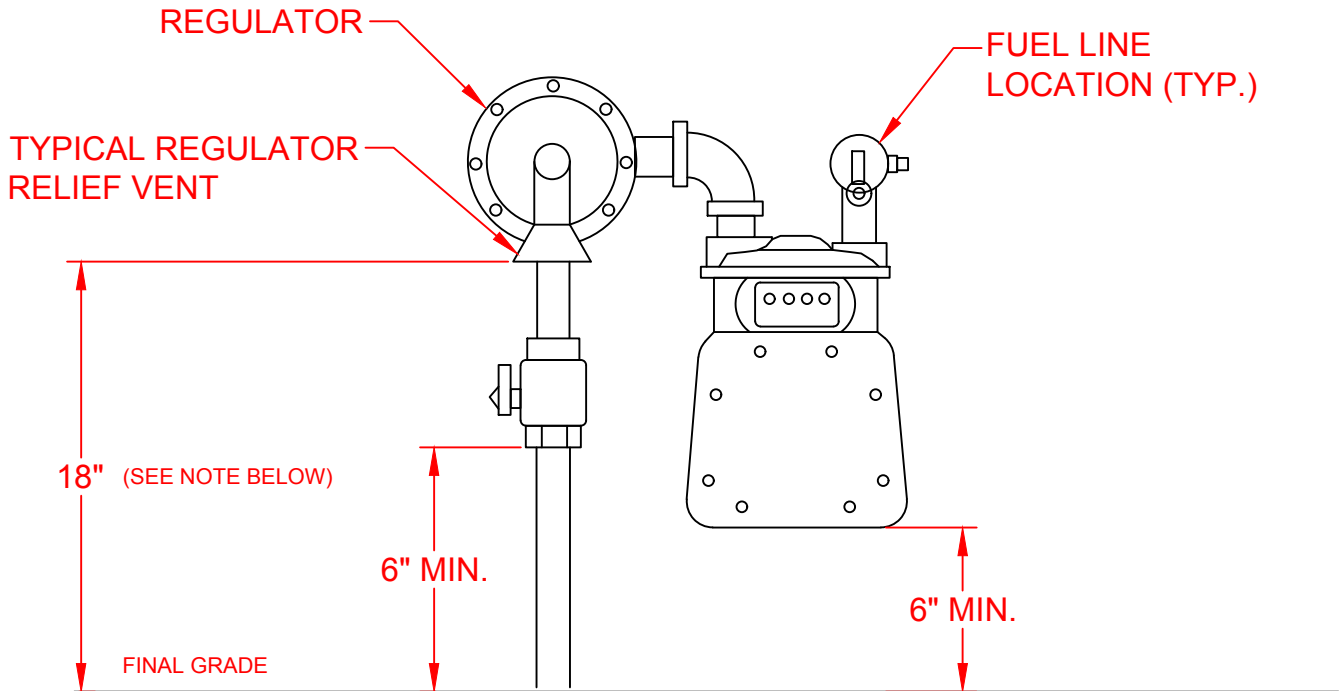


DIAGRAM A

GAS METER CLEARANCES TO FINAL GRADE
(250 METER SHOWN)



NOTE:

THE STANDARD INSTALLATION HEIGHT OF THE REGULATOR VENT IS APPROXIMATELY 28" FROM FINAL GRADE. HOWEVER, IF LOCAL CONDITIONS PREVENT THE STANDARD INSTALLATION, THE HEIGHT, WITH PRIOR SUPERVISORY APPROVAL, CAN BE REDUCED FOR THE INSTALLATION. UNDER NO CIRCUMSTANCES CAN THE HEIGHT BE REDUCED TO LESS THAN 18".


					DRAWN				UNITIL GAS STANDARDS (ME)			
					JNM				GAS METER SET ASSEMBLIES			
					CHECKED				INSTALLATION REQUIREMENTS			
					CL		APPROVED		SCALE	DATE	SHEET	DRAWING NO.
					APPROVED		CL		N/A	4/3/12	1 OF 14	UAYMX002
REVISIONS												

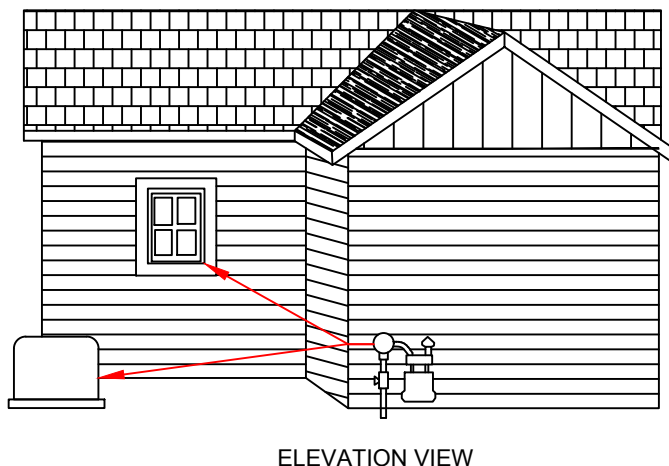
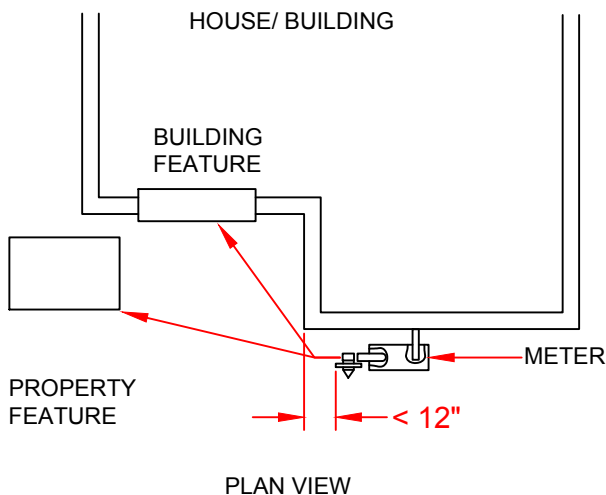
DIAGRAM B

MEASURING AROUND A BUILDING CORNER REGULATOR CLEARANCE

OUTSIDE CORNERS:

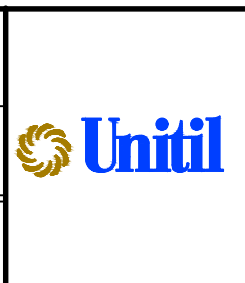
THE REGULATOR RELIEF VENT SHOULD BE AT LEAST 12" FROM ANY OUTSIDE CORNER.

- IF THE REGULATOR RELIEF VENT IS AT LEAST 12" FROM ANY OUTSIDE CORNER, THEN THERE ARE NO MINIMUM CLEARANCES TO FEATURES AROUND THE CORNER.
- IF THE REGULATOR RELIEF VENT IS LESS THAN 12" FROM ANY OUTSIDE CORNER, THEN THE MINIMUM CLEARANCES SPECIFIED IN THIS HANDOUT MUST BE MAINTAINED. *MEASURE AS IF USING A STRING.*



REV.	DESCRIPTION	BY	DATE	CHK	APR
REVISIONS					

DRAWN	JNM
CHECKED	CL
APPROVED	CL



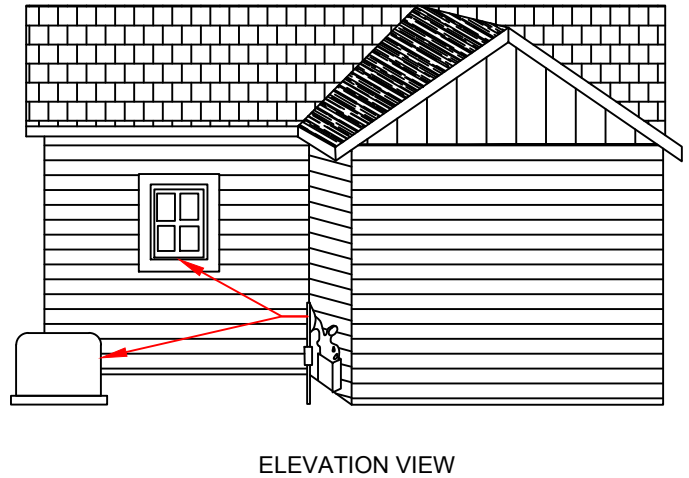
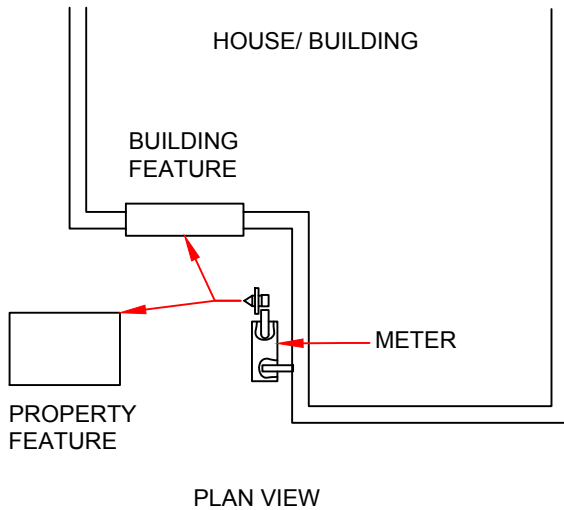
UNITIL GAS STANDARDS (ME) GAS METER SET ASSEMBLIES INSTALLATION REQUIREMENTS			
SCALE	DATE	SHEET	DRAWING NO.
N/A	4/3/12	2 OF 14	UAYMX002

DIAGRAM C

MEASURING AROUND A BUILDING CORNER REGULATOR CLEARANCE


INSIDE CORNERS

- CLEARANCE DISTANCES FROM THE REGULATOR RELIEF VENT OR METER SET ASSEMBLY TO THE FEATURE MUST BE MAINTAINED IN ACCORDANCE WITH THIS HANDOUT. *MEASURE AS IF USING A STRING.*



REV.	DESCRIPTION	BY	DATE	CHK	APR

DRAWN JNM
CHECKED CL
APPROVED CL



UNITIL GAS STANDARDS (ME)
GAS METER SET ASSEMBLIES
INSTALLATION REQUIREMENTS

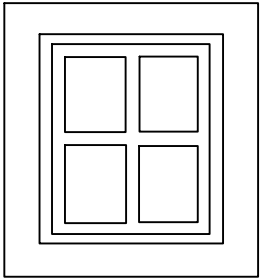
SCALE N/A	DATE 4/3/12	SHEET 3 OF 14	DRAWING NO. UAYMX002
--------------	----------------	------------------	-------------------------

DIAGRAM O

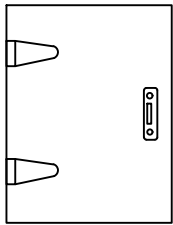
REGULATOR RELIEF VENT CLEARANCES FROM FEATURES



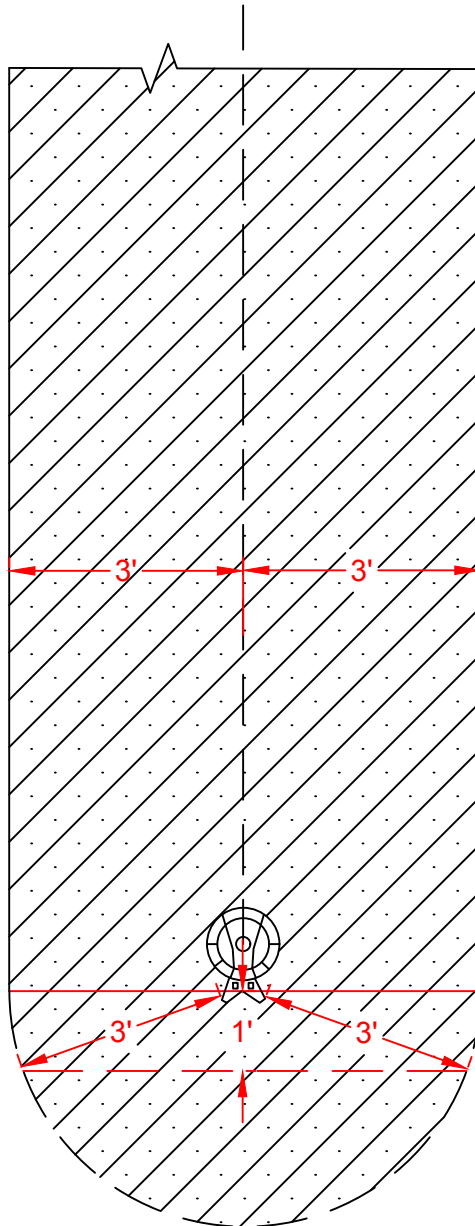
SOFFIT VENT
OPENING



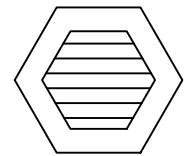
WINDOW OPENING



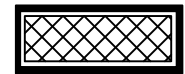
FIREPLACE CLEANOUT
OPENING



NO FEATURES TO BE
PLACED WITHIN
TOLERANCE ZONE
(CROSS-HATCHED AREA)




ATTIC VENT OPENING



CRAWL SPACE OR GARAGE
VENT OPENING

CLEARANCE ZONE FROM WINDOWS, BUILDING VENTS AND FIREPLACE CLEANOUTS

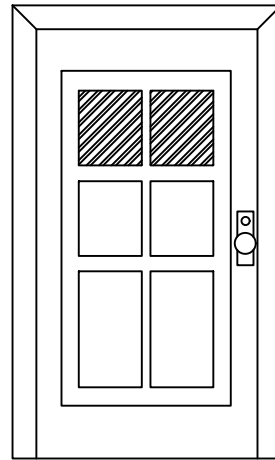
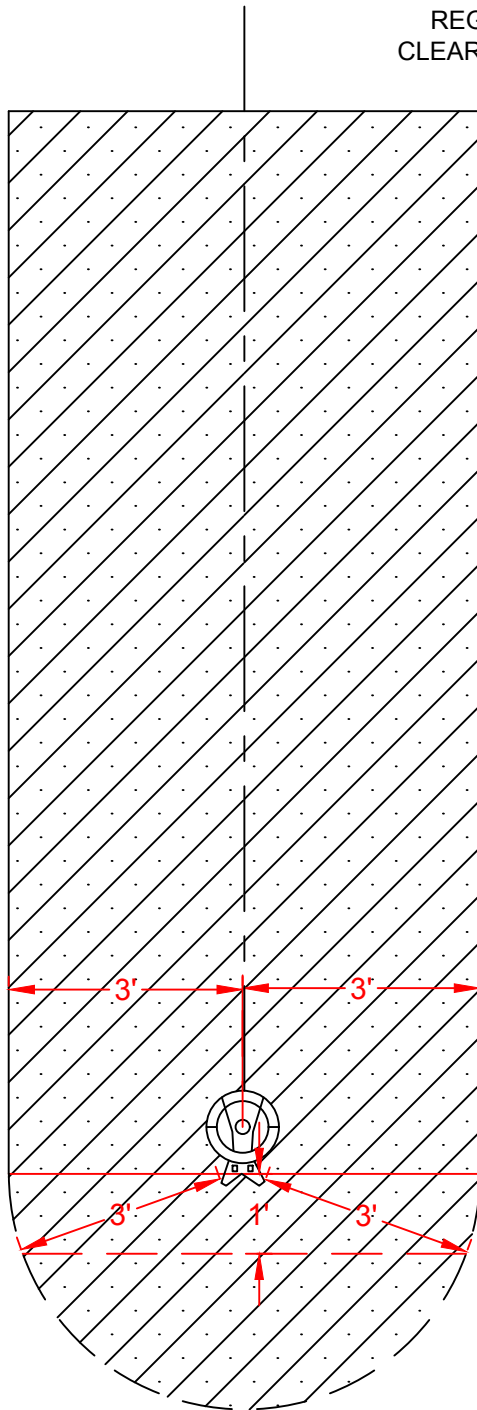
REV.	DESCRIPTION	BY	DATE	CHK	APR
REVISIONS					

DRAWN JNM	
CHECKED CL	
APPROVED CL	

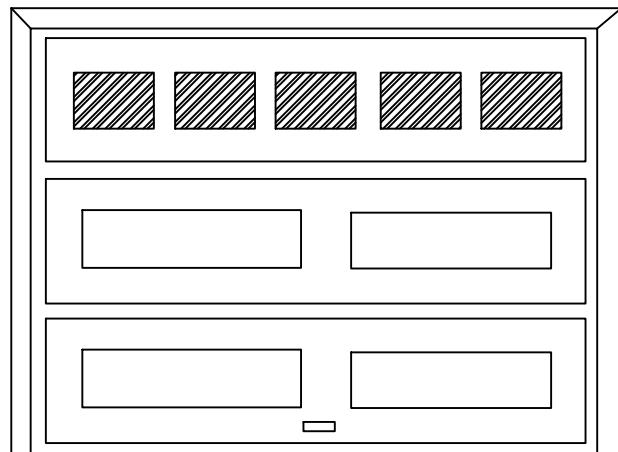
UNITIL GAS STANDARDS (ME) GAS METER SET ASSEMBLIES INSTALLATION REQUIREMENTS			
SCALE N/A	DATE 4/3/12	SHEET 4 OF 14	DRAWING NO. UAYMX002

DIAGRAM E

REGULATOR RELIEF VENT
CLEARANCES FROM FEATURES



DOORS

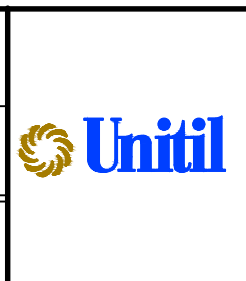


GARAGE DOORS

CLEARANCE ZONE FROM DOORS AND GARAGE DOORS

REV.	DESCRIPTION	BY	DATE	CHK	APR
REVISIONS					

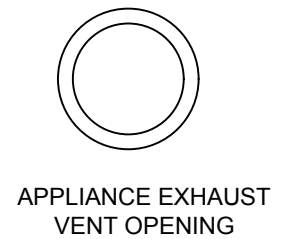
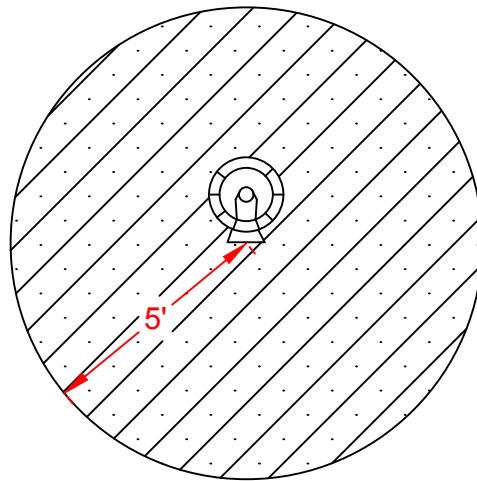
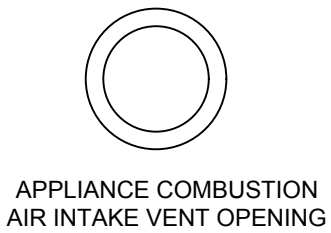
DRAWN
JNM
CHECKED
CL
APPROVED
CL




UNITIL GAS STANDARDS (ME) GAS METER SET ASSEMBLIES INSTALLATION REQUIREMENTS			
SCALE	DATE	SHEET	DRAWING NO.
N/A	4/3/12	5 OF 14	UAYMX002

DIAGRAM P

REGULATOR RELIEF VENT
CLEARANCES FROM FEATURES



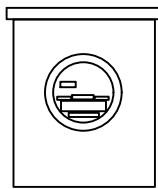
CLEARANCE ZONE FROM APPLIANCE VENTS

					DRAWN					
					JNM					
					CHECKED					
					CL					
					APPROVED	SCALE		DATE	SHEET	DRAWING NO.
REV.	DESCRIPTION	BY	DATE	CHK	APR	N/A		4/3/12	6 OF 14	UAYMX002
REVISIONS					CL					

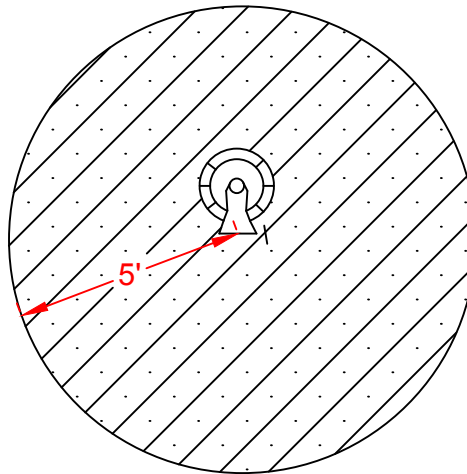
UNITIL GAS STANDARDS (ME)
GAS METER SET ASSEMBLIES
INSTALLATION REQUIREMENTS

DIAGRAM Q

REGULATOR RELIEF VENT
CLEARANCES FROM FEATURES



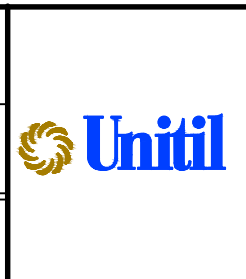
ELECTRIC METER



CLEARANCE ZONE FROM ELECTRIC METERS

REV.	DESCRIPTION	BY	DATE	CHK	APR
REVISIONS					

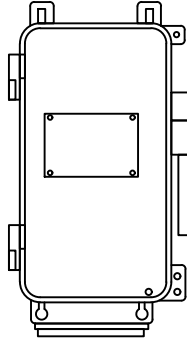
DRAWN
JNM
CHECKED
CL
APPROVED
CL



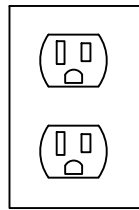
UNITIL GAS STANDARDS (ME) GAS METER SET ASSEMBLIES INSTALLATION REQUIREMENTS			
SCALE	DATE	SHEET	DRAWING NO.
N/A	4/3/12	7 OF 14	UAYMX002

DIAGRAM R

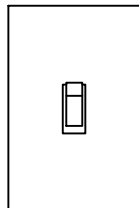
REGULATOR RELIEF VENT CLEARANCES FROM FEATURES



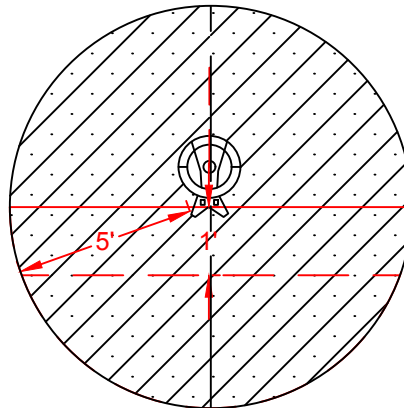
DISCONNECT



ELECTRIC OUTLET



WALL SWITCH



CLEARANCE ZONE FROM ELECTRICAL COMPONENTS

REV.	DESCRIPTION	BY	DATE	CHK	APR
REVISIONS					

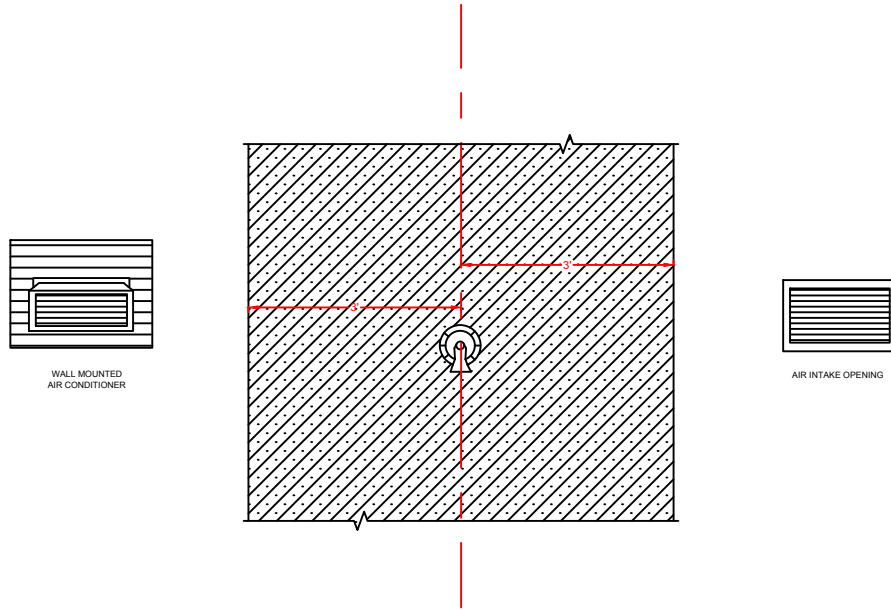
DRAWN	JNM
CHECKED	CL
APPROVED	CL



UNITIL GAS STANDARDS (ME)			
GAS METER SET ASSEMBLIES			
INSTALLATION REQUIREMENTS			
SCALE	DATE	SHEET	DRAWING NO.
N/A	4/3/12	8 OF 14	UAYMX002

DIAGRAM S

REGULATOR RELIEF VENT
CLEARANCES FROM FEATURES



CLEARANCE ZONE FROM MECHANICAL AIR INTAKES AND BUILDING FEATURES



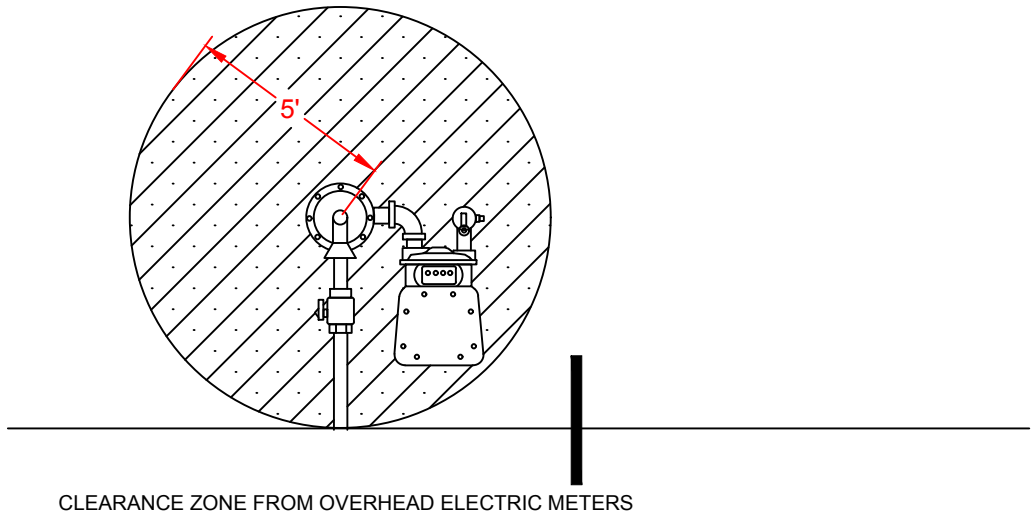
					DRAWN			UNITIL GAS STANDARDS (ME)			
					JNM			GAS METER SET ASSEMBLIES			
					CHECKED			INSTALLATION REQUIREMENTS			
					CL			SCALE	DATE	SHEET	DRAWING NO.
					APPROVED			N/A	4/3/12	9 OF 14	UAYMX002
					CL						
REV.	DESCRIPTION	BY	DATE	CHK	APR	REVISIONS					

DIAGRAM T

ASSEMBLY CLEARANCES
FROM FEATURES




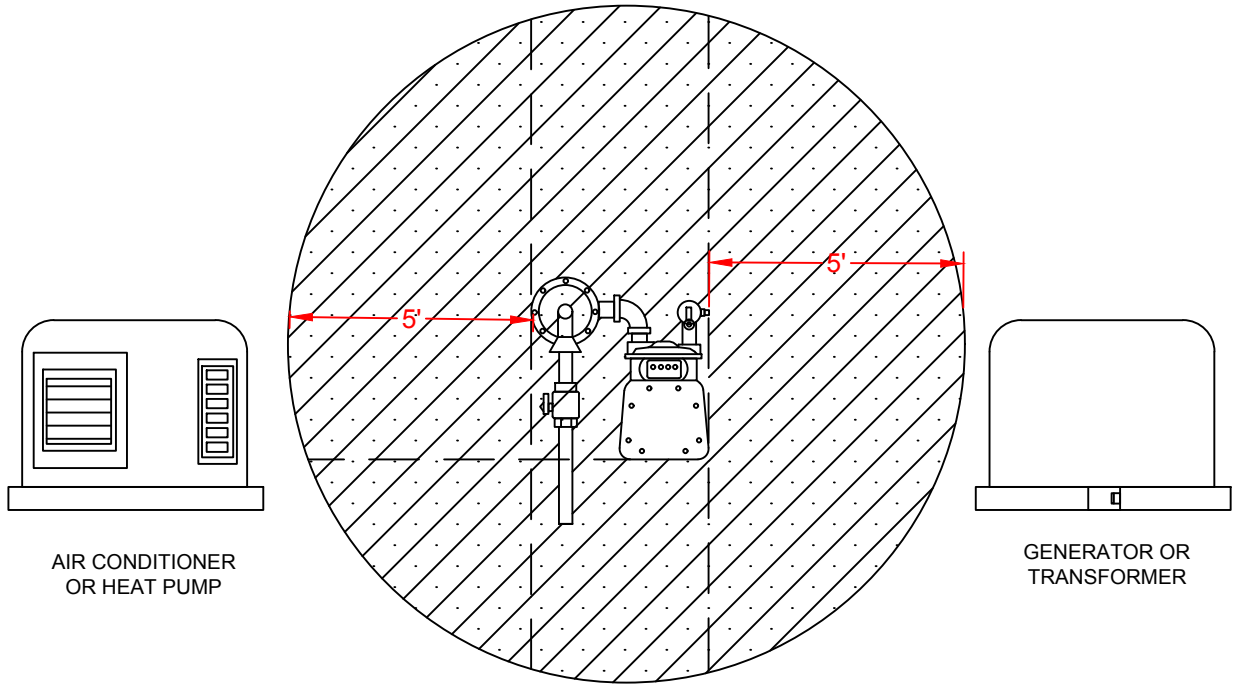
					DRAWN		UNITIL GAS STANDARDS (ME)			
					JNM		GAS METER SET ASSEMBLIES			
					CHECKED		INSTALLATION REQUIREMENTS			
					CL		SCALE	DATE	SHEET	DRAWING NO.
REV.	DESCRIPTION	BY	DATE	CHK	APR	APPROVED	N/A	4/3/12	10 OF 14	UAYMX002
REVISIONS					CL					

DIAGRAM U

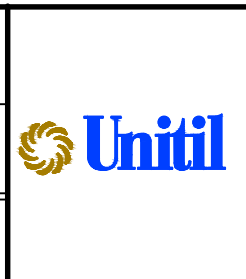
ASSEMBLY CLEARANCES
FROM FEATURES



CLEARANCE ZONE FROM PADMOUNTED AIR CONDITIONERS, HEAT PUMPS, GENERATORS OR TRANSFORMERS

REV.	DESCRIPTION	BY	DATE	CHK	APR
REVISIONS					

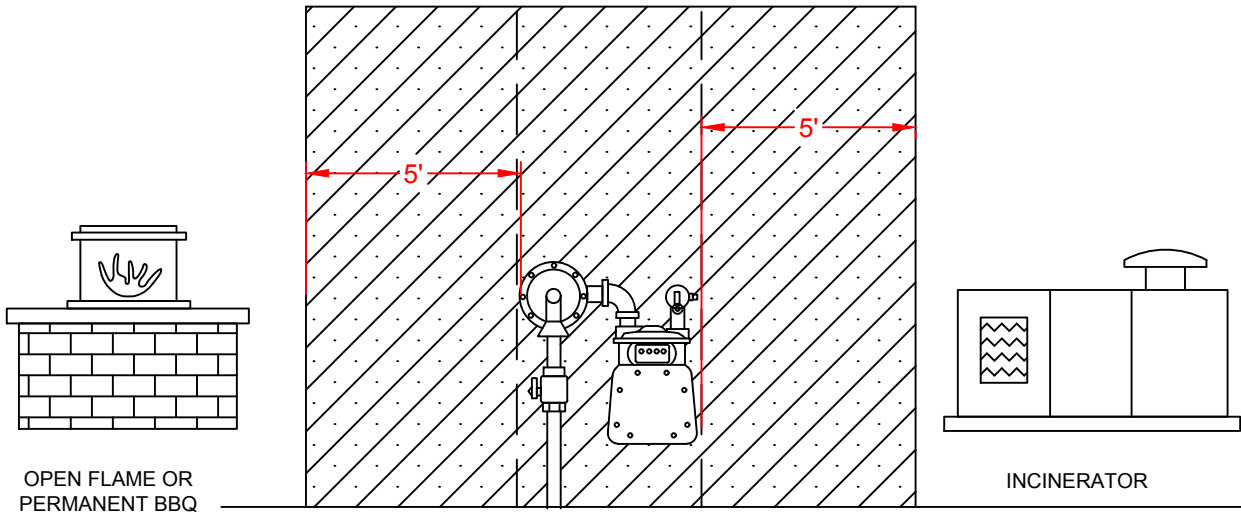
DRAWN <u>JNM</u>
CHECKED <u>CL</u>
APPROVED <u>CL</u>



UNITIL GAS STANDARDS (ME) GAS METER SET ASSEMBLIES INSTALLATION REQUIREMENTS			
SCALE N/A	DATE 4/3/12	SHEET 11 OF 14	DRAWING NO. UAYMX002

DIAGRAM V

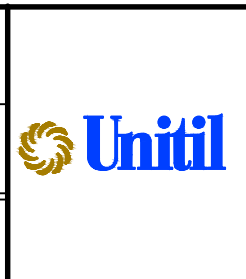
ASSEMBLY CLEARANCES
FROM FEATURES



CLEARANCE ZONE FROM INCINERATORS OR OPEN FLAME DEVICES

REV.	DESCRIPTION	BY	DATE	CHK	APR
REVISIONS					

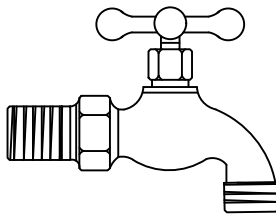
DRAWN
JNM
CHECKED
CL
APPROVED
CL



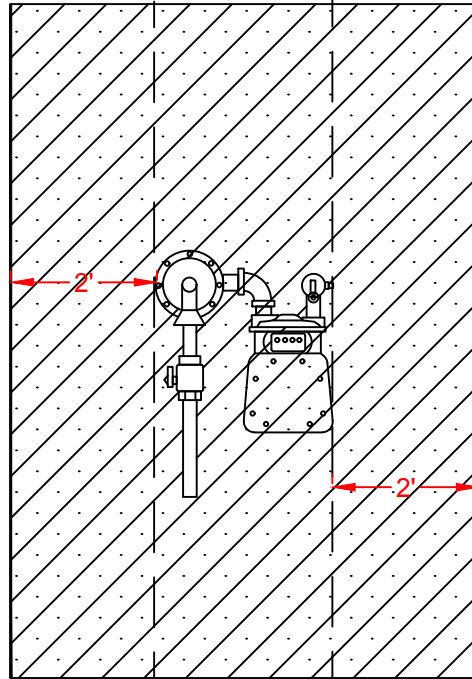
UNITIL GAS STANDARDS (ME) GAS METER SET ASSEMBLIES INSTALLATION REQUIREMENTS			
SCALE	DATE	SHEET	DRAWING NO.
N/A	4/3/12	12 OF 14	UAYMX002

DIAGRAM N

ASSEMBLY CLEARANCES
FROM FEATURES



WATER SPIGOT



PREFERRED CLEARANCE ZONE FROM WATER SPIGOTS

REV.	DESCRIPTION	BY	DATE	CHK	APR

REVISIONS

DRAWN
JNM
CHECKED
CL
APPROVED
CL

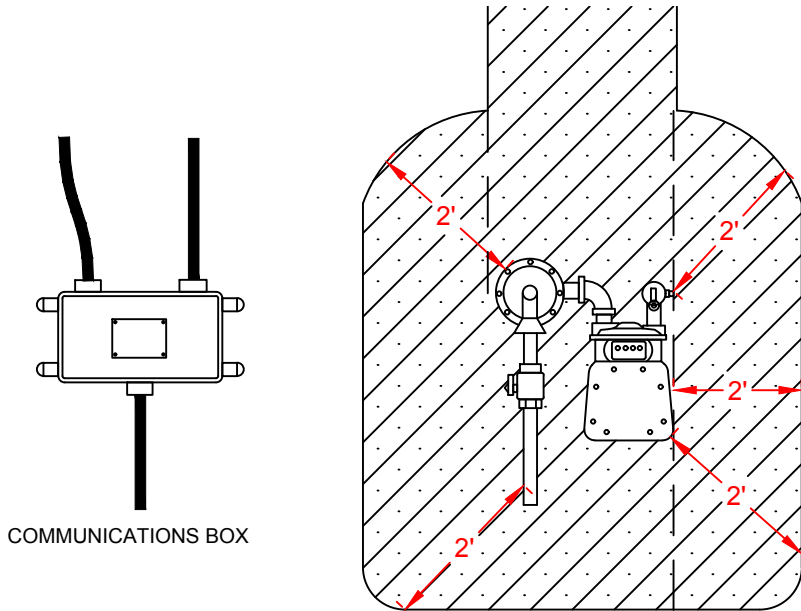


UNITIL GAS STANDARDS (ME)
GAS METER SET ASSEMBLIES
INSTALLATION REQUIREMENTS

SCALE	DATE	SHEET	DRAWING NO.
N/A	4/3/12	13 OF 14	UAYMX002


DIAGRAM M

ASSEMBLY CLEARANCES
FROM FEATURES



COMMUNICATIONS BOX

PREFERRED CLEARANCE ZONE COMMUNICATIONS AND CABLE BOXES

					DRAWN			UNITIL GAS STANDARDS (ME)			
					JNM			GAS METER SET ASSEMBLIES			
					CHECKED			INSTALLATION REQUIREMENTS			
					CL	APPROVED		SCALE	DATE	SHEET	DRAWING NO.
					CL			N/A	4/3/12	14 OF 14	UAYMX002
REV.	DESCRIPTION	BY	DATE	CHK	APR	REVISIONS					