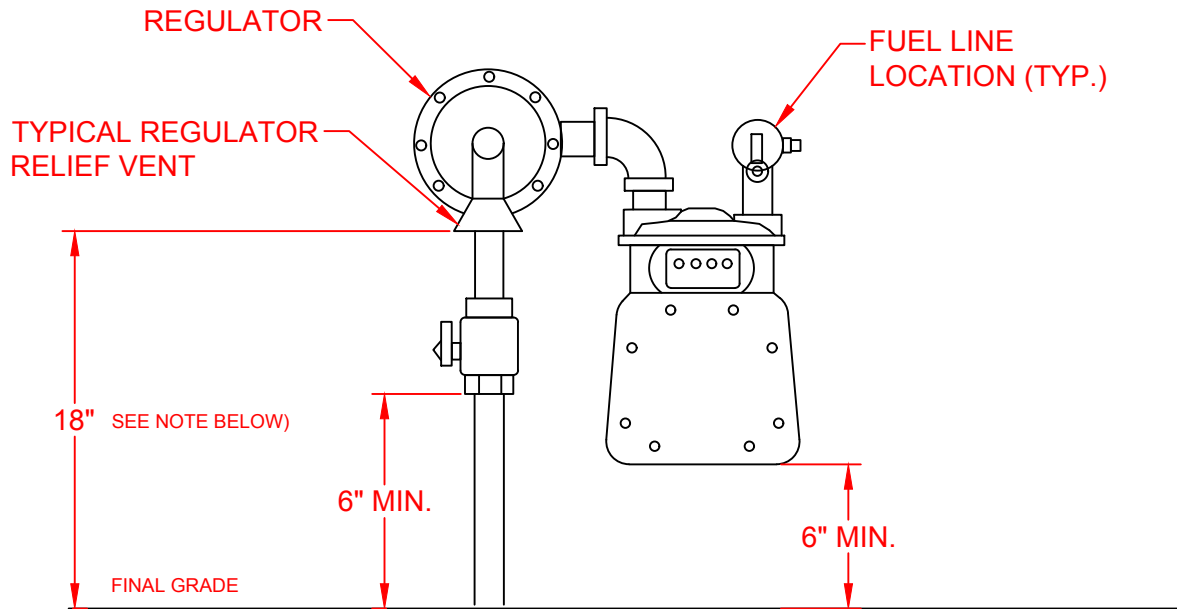


# DIAGRAM A

GAS METER CLEARANCES TO FINAL GRADE  
(250 METER SHOWN)



**NOTE:**

THE STANDARD INSTALLATION HEIGHT OF THE REGULATOR VENT IS APPROXIMATELY 28" FROM FINAL GRADE. HOWEVER, IF LOCAL CONDITIONS PREVENT THE STANDARD INSTALLATION, THE HEIGHT, WITH PRIOR SUPERVISORY APPROVAL, CAN BE REDUCED FOR THE INSTALLATION. UNDER NO CIRCUMSTANCES CAN THE HEIGHT BE REDUCED TO LESS THAN 18"

REV.	DESCRIPTION	BY	DATE	CHK	APR
REVISIONS					

DRAWN
JNM
CHECKED
CL
APPROVED
CL



UNITIL GAS STANDARDS (NH & MA)			
GAS METER SET ASSEMBLIES			
INSTALLATION REQUIREMENTS			
SCALE	DATE	SHEET	DRAWING NO.
N/A	4/3/12	1 OF 14	UAYMX001

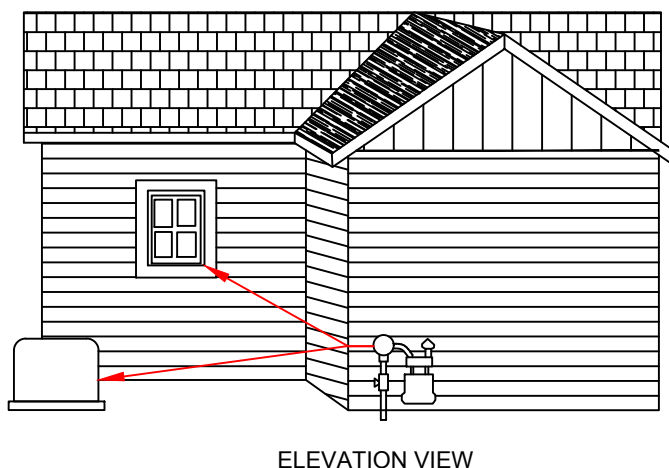
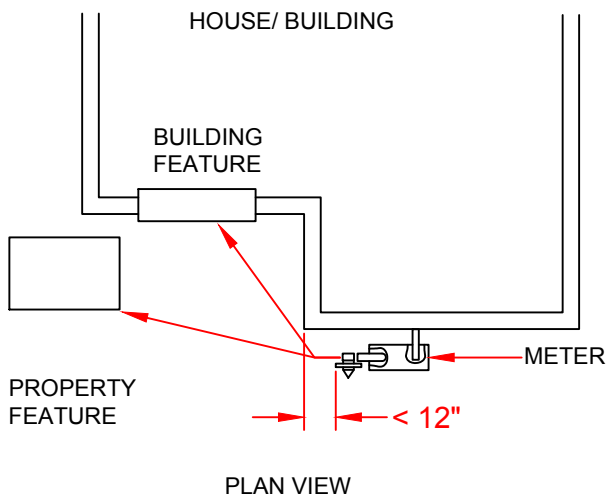
# DIAGRAM B

## MEASURING AROUND A BUILDING CORNER REGULATOR CLEARANCE

### OUTSIDE CORNERS:

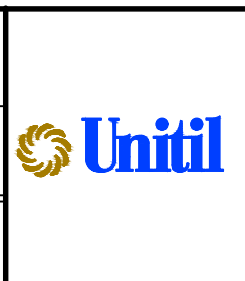
THE REGULATOR RELIEF VENT SHOULD BE AT LEAST 12" FROM ANY OUTSIDE CORNER.

- IF THE REGULATOR RELIEF VENT IS AT LEAST 12" FROM ANY OUTSIDE CORNER, THEN THERE ARE NO MINIMUM CLEARANCES TO FEATURES AROUND THE CORNER.
- IF THE REGULATOR RELIEF VENT IS LESS THAN 12" FROM ANY OUTSIDE CORNER, THEN THE MINIMUM CLEARANCES SPECIFIED IN THIS HANDOUT MUST BE MAINTAINED. *MEASURE AS IF USING A STRING.*



REV.	DESCRIPTION	BY	DATE	CHK	APR
REVISIONS					

DRAWN
JNM
CHECKED
CL
APPROVED
CL



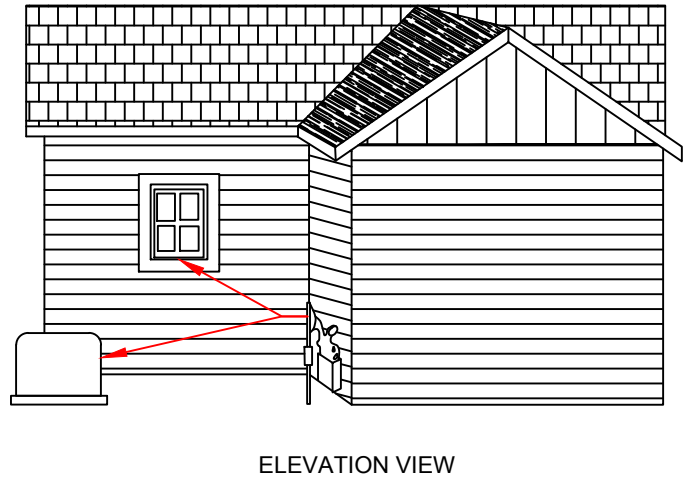
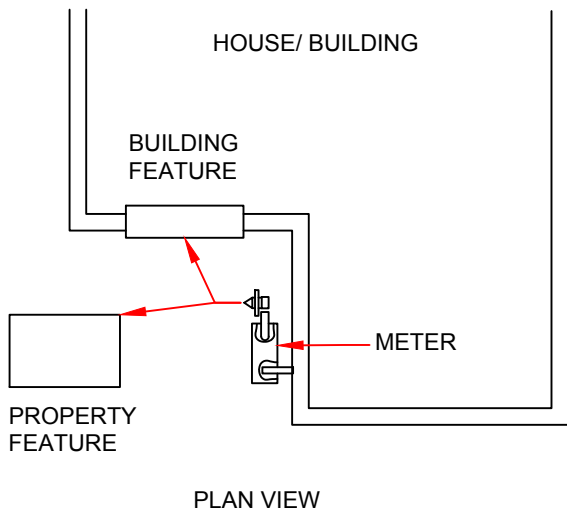
UNITIL GAS STANDARDS (NH & MA)			
GAS METER SET ASSEMBLIES			
INSTALLATION REQUIREMENTS			
SCALE	DATE	SHEET	DRAWING NO.
N/A	4/3/12	2 OF 14	UAYMX001


# DIAGRAM C

## MEASURING AROUND A BUILDING CORNER REGULATOR CLEARANCE

### INSIDE CORNERS!

- CLEARANCE DISTANCES FROM THE REGULATOR RELIEF VENT OR METER SET ASSEMBLY TO THE FEATURE MUST BE MAINTAINED IN ACCORDANCE WITH THIS HANDOUT. *MEASURE AS IF USING A STRING.*



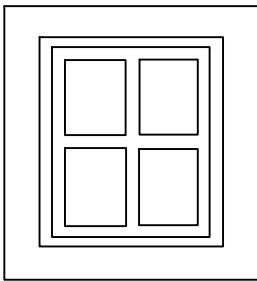
								DRAWN		UNITIL GAS STANDARDS (NH & MA)			
								JNM		GAS METER SET ASSEMBLIES			
								CHECKED		INSTALLATION REQUIREMENTS			
								CL					
								APPROVED		SCALE	DATE	SHEET	DRAWING NO.
								CL		N/A	4/3/12	3 OF 14	UAYMX001
REV.	DESCRIPTION	BY	DATE	CHK	APR	REVISIONS							

# DIAGRAM D

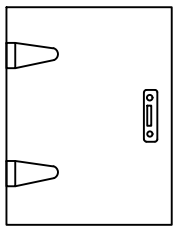
REGULATOR RELIEF VENT  
CLEARANCES FROM FEATURES



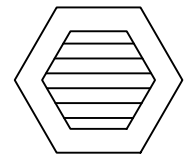
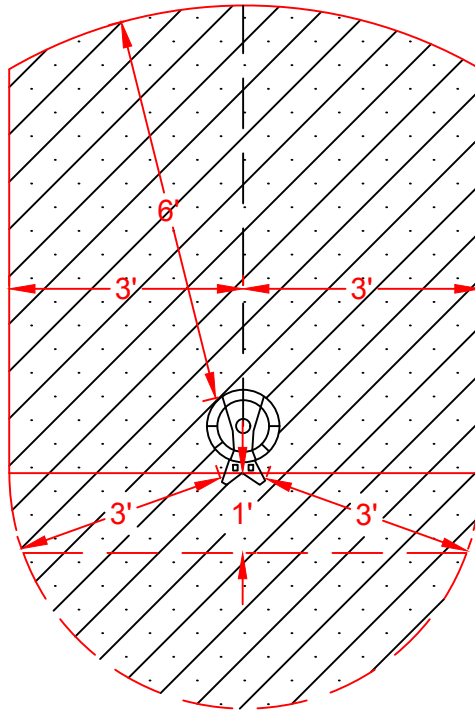
SOFFIT VENT  
OPENING



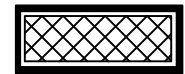
WINDOW OPENING



FIREPLACE CLEANOUT  
OPENING



ATTIC VENT OPENING



CRAWL SPACE OR GARAGE  
VENT OPENING

CLEARANCE ZONE FROM WINDOWS, BUILDING VENTS AND FIREPLACE CLEANOUTS

REV.	DESCRIPTION	BY	DATE	CHK	APR
REVISIONS					

DRAWN	JNM
CHECKED	CL
APPROVED	CL

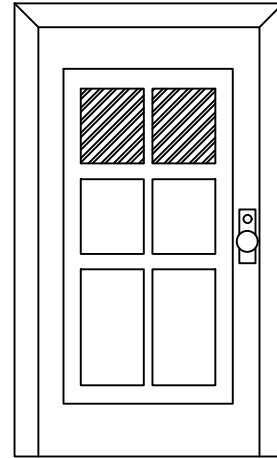
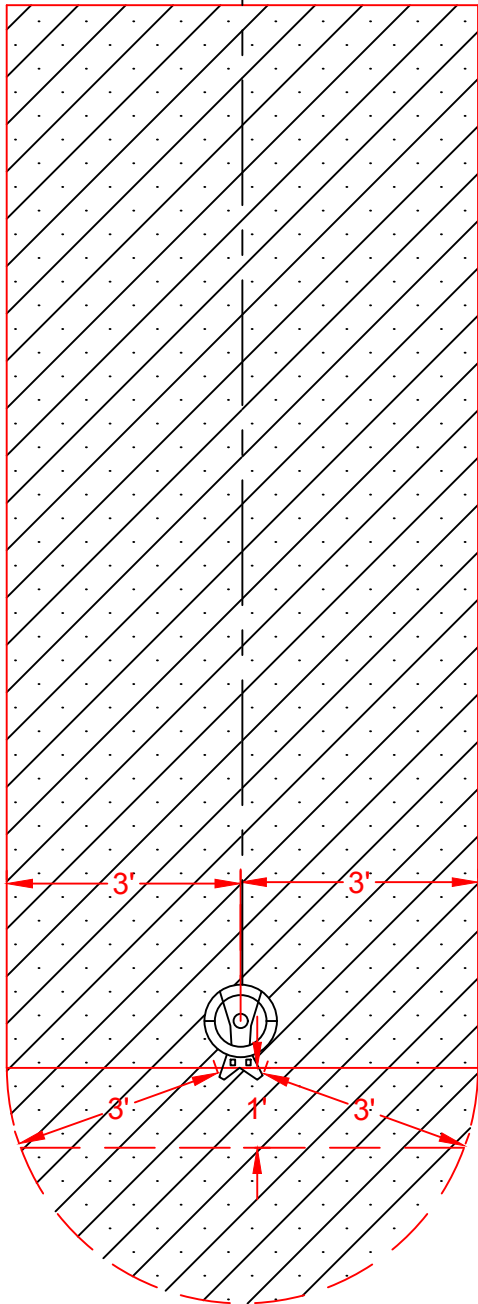


UNITIL GAS STANDARDS (NH & MA)  
GAS METER SET ASSEMBLIES  
INSTALLATION REQUIREMENTS

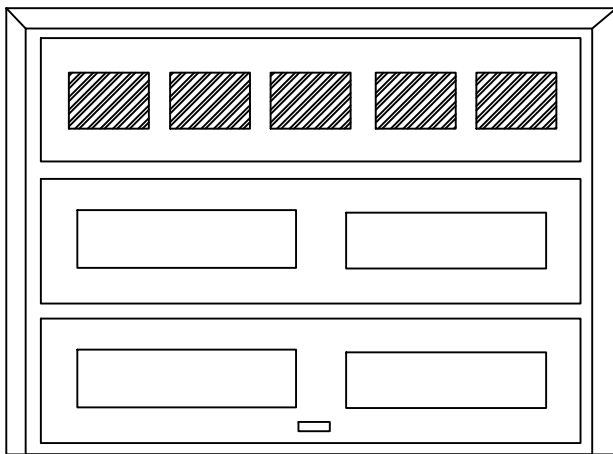
SCALE	DATE	SHEET	DRAWING NO.
N/A	4/3/12	4 OF 14	UAYMX001

# DIAGRAM E

REGULATOR RELIEF VENT  
CLEARANCES FROM FEATURES



DOORS

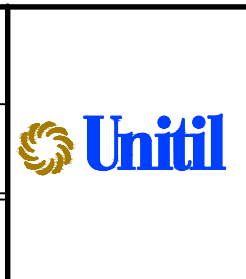


GARAGE DOORS

CLEARANCE ZONE FROM DOORS AND GARAGE DOORS

REV.	DESCRIPTION	BY	DATE	CHK	APR
REVISIONS					

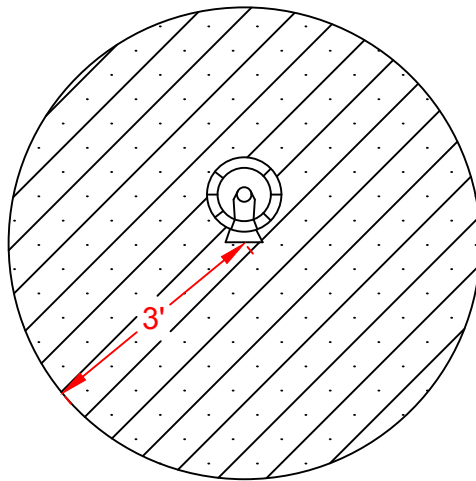
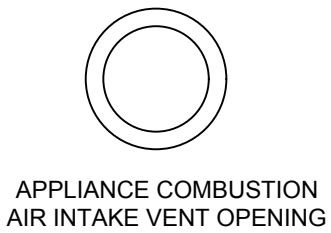
DRAWN	JNM
CHECKED	CL
APPROVED	CL



UNITIL GAS STANDARDS (NH & MA) GAS METER SET ASSEMBLIES INSTALLATION REQUIREMENTS			
SCALE	DATE	SHEET	DRAWING NO.
N/A	4/3/12	5 OF 14	UAYMX001

# DIAGRAM F

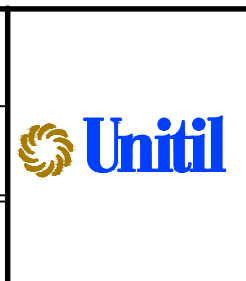
REGULATOR RELIEF VENT  
CLEARANCES FROM FEATURES



CLEARANCE ZONE FROM APPLIANCE VENTS

REV.	DESCRIPTION	BY	DATE	CHK	APR
REVISIONS					

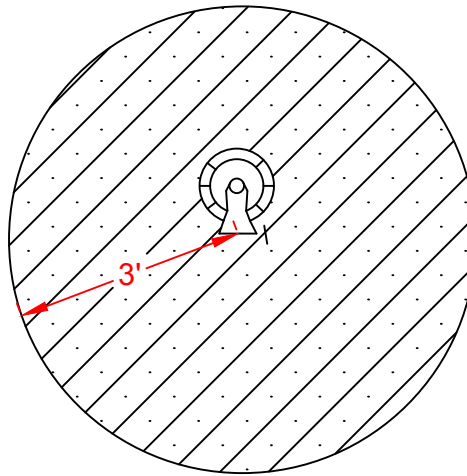
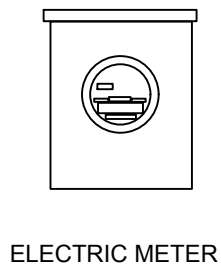
DRAWN JNM
CHECKED CL
APPROVED CL



UNITIL GAS STANDARDS (NH & MA) GAS METER SET ASSEMBLIES INSTALLATION REQUIREMENTS			
SCALE N/A	DATE 4/3/12	SHEET 6 OF 14	DRAWING NO. UAYMX001

# DIAGRAM G

REGULATOR RELIEF VENT  
CLEARANCES FROM FEATURES



CLEARANCE ZONE FROM ELECTRIC  
METERS

REV.	DESCRIPTION	BY	DATE	CHK	APR
REVISIONS					

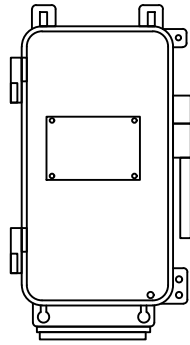
DRAWN
<u>JNM</u>
CHECKED
<u>CL</u>
APPROVED
<u>CL</u>



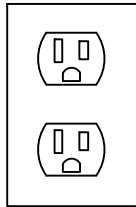
UNITIL GAS STANDARDS (NH & MA) GAS METER SET ASSEMBLIES INSTALLATION REQUIREMENTS			
SCALE	DATE	SHEET	DRAWING NO.
N/A	4/3/12	7 OF 14	UAYMX001

# DIAGRAM H

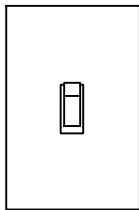
REGULATOR RELIEF VENT  
CLEARANCES FROM FEATURES



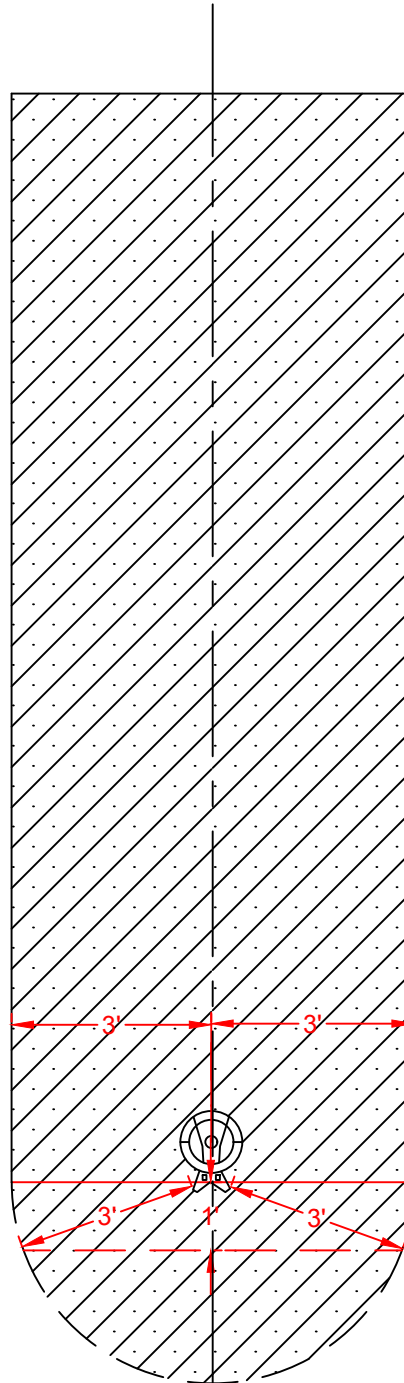
DISCONNECT



ELECTRIC OUTLET



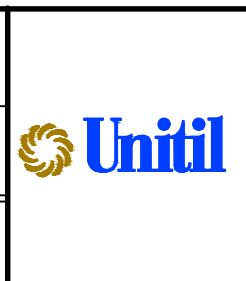
WALL SWITCH



CLEARANCE ZONE FROM ELECTRICAL COMPONENTS

REV.	DESCRIPTION	BY	DATE	CHK	APR
REVISIONS					

DRAWN	JNM
CHECKED	CL
APPROVED	CL

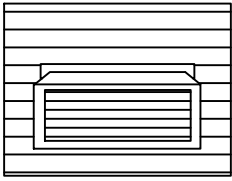


UNITIL GAS STANDARDS (NH & MA) GAS METER SET ASSEMBLIES INSTALLATION REQUIREMENTS			
SCALE	DATE	SHEET	DRAWING NO.
N/A	4/3/12	8 OF 14	UAYMX001

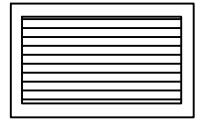


# DIAGRAM I

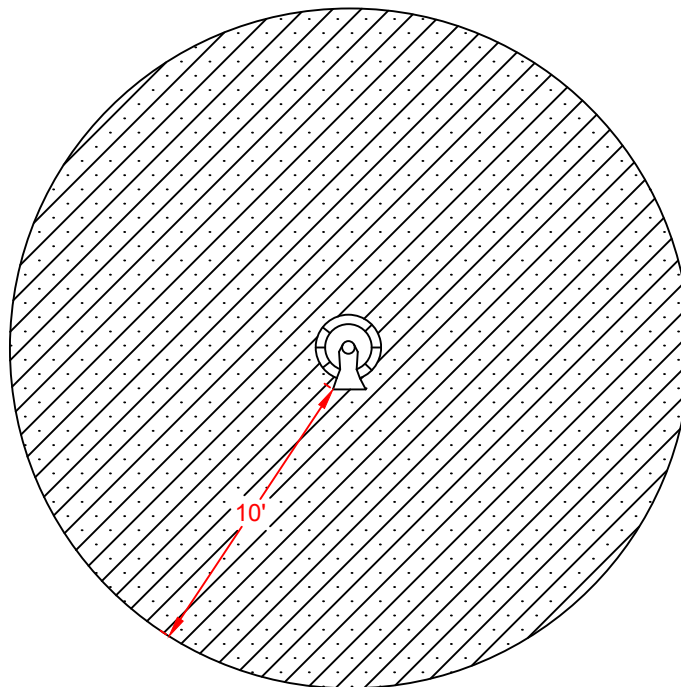
REGULATOR RELIEF VENT  
CLEARANCES FROM FEATURES



WALL MOUNTED  
AIR CONDITIONER



AIR INTAKE OPENING

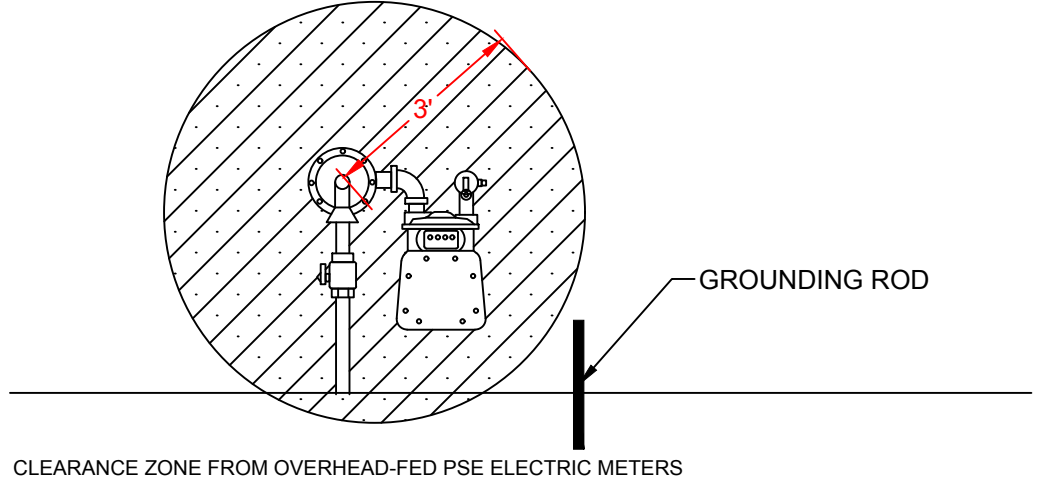



CLEARANCE ZONE FROM MECHANICAL AIR INTAKES AND BUILDING FEATURES

						DRAWN			UNITIL GAS STANDARDS (NH & MA) GAS METER SET ASSEMBLIES INSTALLATION REQUIREMENTS				
						JNM			SCALE		DATE	SHEET	DRAWING NO.
						CHECKED			N/A		4/3/12	9 OF 14	UAYMX001
						C	APPROVED						
REV.	DESCRIPTION	BY	DATE	CHK	APR	C							
REVISIONS													

# DIAGRAM J

ASSEMBLY CLEARANCES  
FROM FEATURES

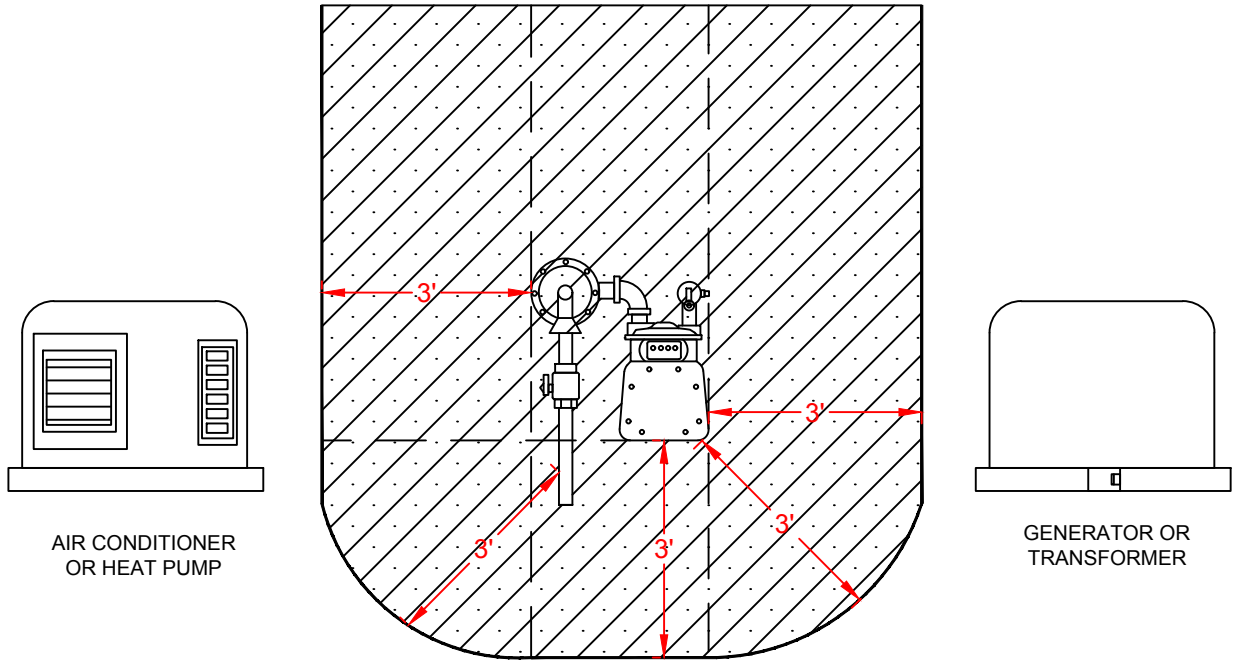


					DRAWN				
					JNM				
					CHECKED				
					CL				
					APPROVED	SCALE	DATE	SHEET	DRAWING NO.
REV.	DESCRIPTION	BY	DATE	CHK	APR	N/A	4/3/12	10 OF 14	UAYMX001
REVISIONS					CL				

UNITIL GAS STANDARDS (NH & MA)  
GAS METER SET ASSEMBLIES  
INSTALLATION REQUIREMENTS

# DIAGRAM K

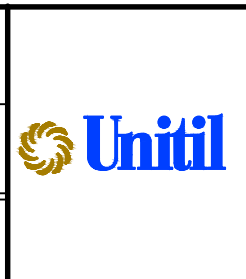
ASSEMBLY CLEARANCES  
FROM FEATURES



CLEARANCE ZONE FROM PADMOUNTED AIR CONDITIONERS, HEAT PUMPS, GENERATORS OR TRANSFORMERS

REV.	DESCRIPTION	BY	DATE	CHK	APR
REVISIONS					

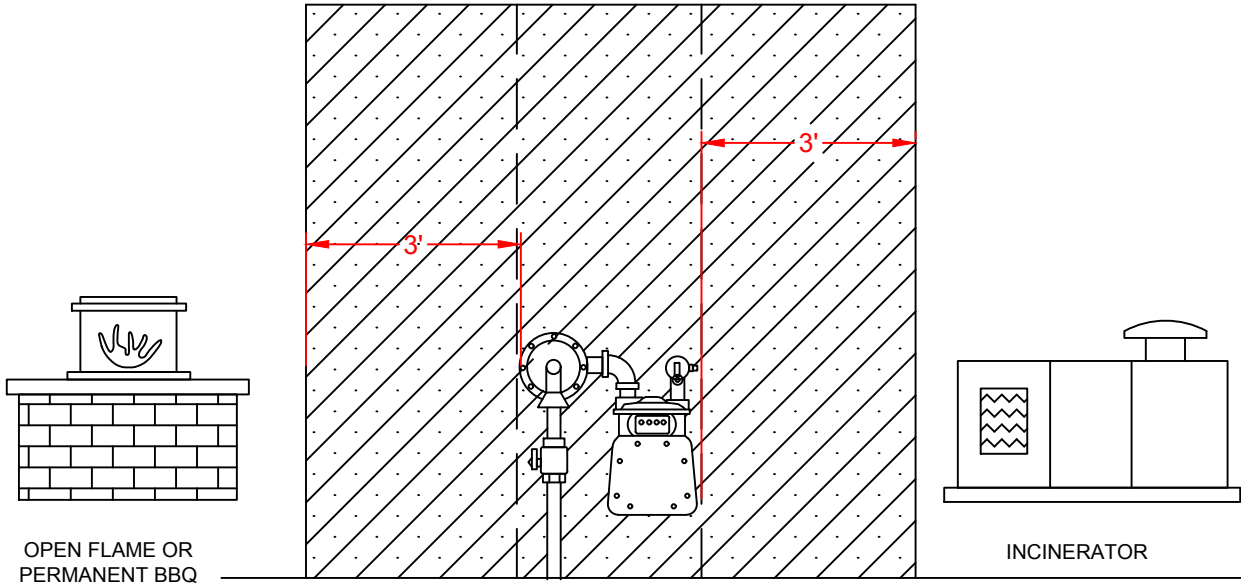
DRAWN	JNM
CHECKED	CL
APPROVED	CL




UNITIL GAS STANDARDS (NH & MA)			
GAS METER SET ASSEMBLIES			
INSTALLATION REQUIREMENTS			
SCALE	DATE	SHEET	DRAWING NO.
N/A	4/3/12	11 OF 14	UAYMX001

# DIAGRAM L

ASSEMBLY CLEARANCES  
FROM FEATURES

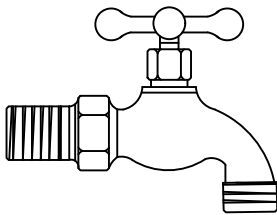


CLEARANCE ZONE FROM INCINERATORS OR OPEN FLAME DEVICES

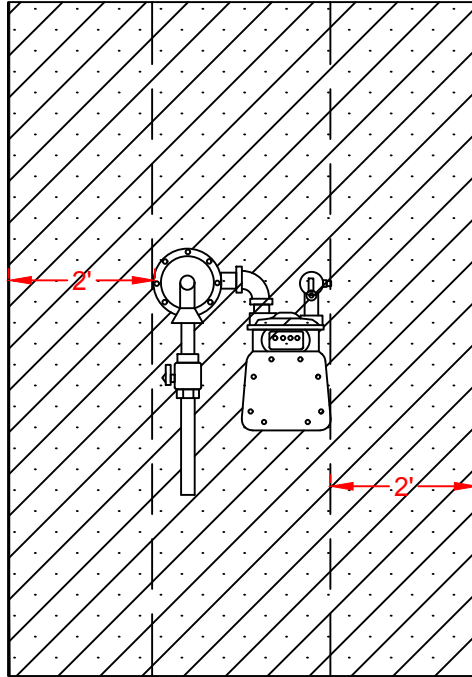
						DRAWN		UNITIL GAS STANDARDS (NH & MA) GAS METER SET ASSEMBLIES INSTALLATION REQUIREMENTS			
						JNM					
						CHECKED					
						CL					
						APPROVED		SCALE	DATE	SHEET	DRAWING NO.
						CL		N/A	4/3/12	12 OF 14	UAYMX001
REVISIONS											

# DIAGRAM M

## ASSEMBLY CLEARANCES FROM FEATURES



WATER SPIGOT



PREFERRED CLEARANCE ZONE FROM WATER SPIGOTS

REV.	DESCRIPTION	BY	DATE	CHK	APR
REVISIONS					

DRAWN
JNM
CHECKED
CL
APPROVED
CL

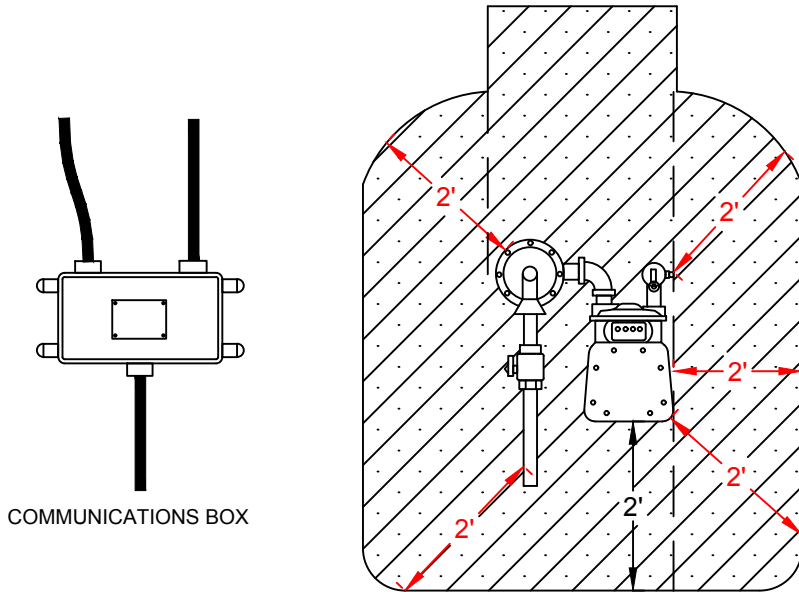


UNITIL GAS STANDARDS (NH & MA)  
GAS METER SET ASSEMBLIES  
INSTALLATION REQUIREMENTS

SCALE	DATE	SHEET	DRAWING NO.
N/A	4/3/12	13 OF 14	UAYMX001


# DIAGRAM N

ASSEMBLY CLEARANCES  
FROM FEATURES



COMMUNICATIONS BOX

PREFERRED CLEARANCE ZONE COMMUNICATIONS AND CABLE BOXES

					DRAWN			UNITIL GAS STANDARDS (NH & MA)					
					JNM			GAS METER SET ASSEMBLIES					
					CHECKED			INSTALLATION REQUIREMENTS					
					CL	SCALE N/A		DATE 4/3/12		SHEET 14 OF 14		DRAWING NO. UAYMX001	
					APPROVED								
REV.	DESCRIPTION	BY	DATE	CHK	APR	CL							
REVISIONS													